



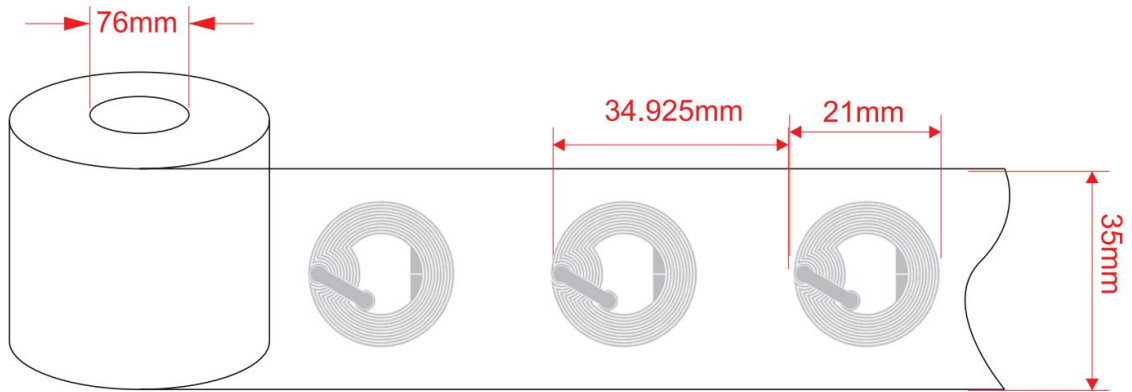
Specification

1. Physical Characteristics	Description
Antenna Dimension	Diameter 21mm
Inlay / Tag Dimension	Diameter 25mm
Antenna Pitch	34.925mm
2. Electronic Characteristics	Description
Protocol	ISO/IEC14442-A
Manufacture / IC	NXP NTAG213
Memory	144 bytes
Base Material	PET + Aluminum + Micro-Chip
Face Stock	Paper, White PET
Antenna	Etched Aluminum (10μm) + PET (50μm)
Operating Mode	Passive
Chip life	Write 100,000 times, keep data for 10 years
ESD Voltage Immunity	Max.2000V Human being mode(HBM)
3. Entertainment & Package	Description
Operating Temperature/ Humidity	-40°C to +70°C, 20% to 90% RH Non-condensing;
Storage	-25°C to +50°C, ,20% to 90% RH Non-condensing
Bending diameter	>50 mm
Static pressure	<10 MPa
Package	2000pcs/ roll, 8rolls/Carton
4. Delivery Formats	Description
Available formats	Dry inlay, Wet inlay, Paper tag, Plastic Tag
Quality	100% tested with out-of-tolerance inlay marked
Inner core diameter	76 mm/3 inch

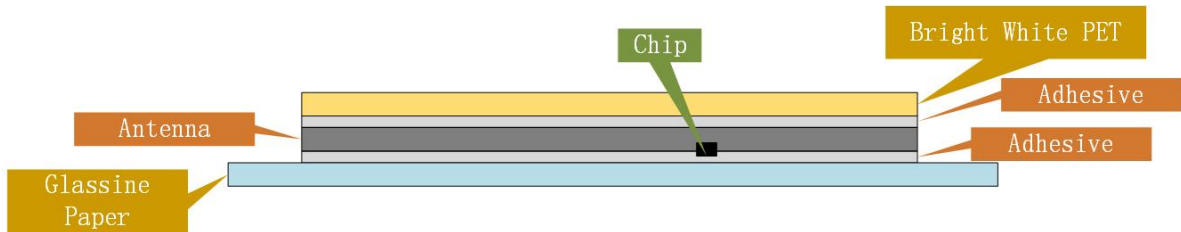
The information contained on this Document is considered to be confidential material proprietary to JYL-Tech, and this information shall not be disclosed, duplicated or copied for any purpose, Nor made available for any third party without the prior consent to JYL-Tech.



RFID Layer Out



Performance Test Chart



Package Info.

ESD Package Box, 2,000Pcs/Roll, 8 rolls/Ctns.
Packing in roll for printing and cutting at customer



The information contained on this Document is considered to be confidential material proprietary to JYL-Tech, and this information shall not be disclosed, duplicated or copied for any purpose, Nor made available for any third party without the prior consent to JYL-Tech.

