

Pocket Silicone Wristband

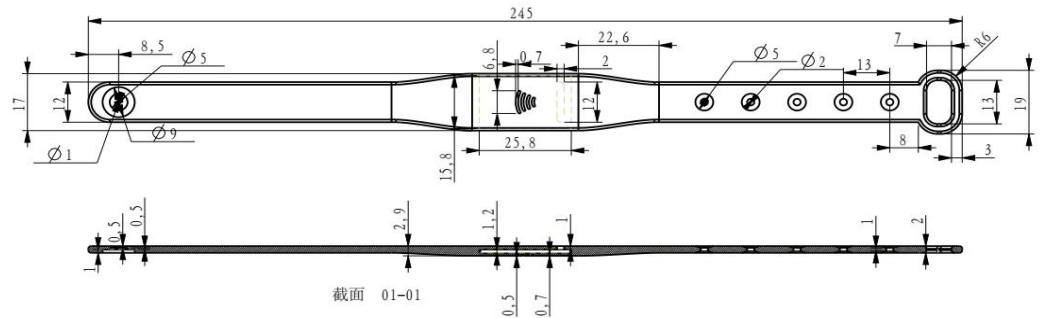
WER04

Printing:

- Laser Engrave Printing
- Silk Screen Printing

Personalization:

- Laser UID
- Programmable



* Customized Shape upon request

Description:

JYL-Tech WER04 advantage:

- 1.Elegant new design wearable RFID tag for cashless payment
- 2.Multiple Card sub-stitutable for different payment system.
- 3.Colorful option and customer logo printing
- 4.Optional sealed RFID inside of tag
- 5.Adjustable size with metal blocker, more secure and fastness.



Chip available:

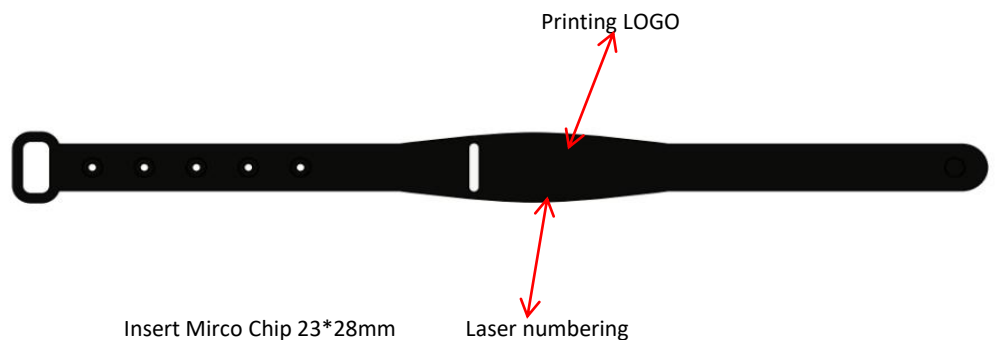
- LF 125KHz
- HF 13.56MHz
- UHF 860~960MHz

Artwork Specifications:

CDR, PDF or AI files are required
 Tones and screens need to be converted to solids
 Broken lines, weak lines, or smeared art cannot be imprinted
 Outline all fonts in the artwork files

Standard Features:

- Dimension: 245x19mm
- Material: Constructed of 100% silicone and embedded coin tag.
- Color Options: Red/Pink/Yellow/Green/Blue/Purple etc
- MOQ: 500PCS
- Protection Class: IP68
- Operating Temperature: -30~80℃
- Storge Temperature: -25~140℃
- Net Weight: Approx 20g/Piece
- Package: 100 per box. 500pcs per carton.
- Lead Time: Ships 12 days from date of artwork approval & payment terms
- Warranty : 1 Year



Preferred File Formats

Format	Description	Note
CDR	CoreIDRAW	Convert text to outlines
AI	Adobe Illustrator	Convert text to outlines

Applications :

- Public transportation ticket
- Event management ticket badge
- Club, party, loyalty membership badge / identification
- Security access identity system

The information contained on this Document is considered to be confidential material proprietary to JYL-Tech, and this information shall not be disclosed, duplicated or copied for any purpose, Nor made available for any third party without the prior consent to JYL-Tech.