

# UHF Silicone Wristband

WR12 UHF

## Profile:

- A passive powerful UHF RFID inside compliance EPC C1, Gen2
- Creative RFID transponder design for max. 25ft read range
- Performance difference within 30cm
- High quality silicone rubber from Germany in customized colors
- Waterproof, smooth surface, durable, adjustable dimension

## Logo and Serial Code Printing :

- Laser engrave printing, or silk screen printing for max 3 colors
- Logo embossed or debossed
- Serial number personalization, UID laser printing
- Chip programming and encryption



Although there are various styles UHF RFID wristbands available in the market, their performance easily be compromised with the liquid in human body, which results the read rate too low to be reliable. JYL-Tech has been developing a solution, RAIN MiGHTAG Wristband, solves this problem perfectly.

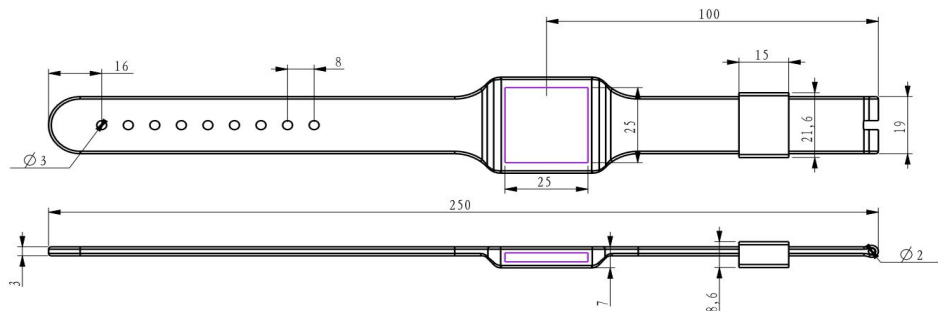
## \* Customized shape upon request

## Chip Available:

IMPINJ: Monza® R6, Monza® R6-P,  
Monza®4QT

NXP: UCODE® 7, UCODE® 8

ALIEN: HIGGS3



## Standard Features:

- Dimension: 250\*19mm or customized
- Material: Constructed of 100% silicone and embedded RFID tag
- RFID Transponder: Ceramics silver antenna design great performancne directly attached on human body
- Color Options: Red/Pink/Yellow/Green/Blue/Purple etc
- MOQ: 500PCS
- Protection Class: IP68
- Operating Temperature: -30 ~ 80°C
- Storge Temperature: -25 ~ 140°C
- Net Weight: Approx 31g/piece
- Package: 100 per box, 500pcs per carton, or customized
- Lead Time: 12 days from date of artwork approval & payment terms A22
- Warranty : 1 Year

## Applications :

- Access, Elevator Access, Event Identity
- Sports Management
- Personnel Tracking
- Industrial Identification

*The information contained on this Document is considered to be confidential material proprietary to JYL-Tech, and this information shall not be disclosed, duplicated or copied for any purpose, Nor made available for any third party without the prior consent to JYL-Tech.*